



Distributed by:



# Mobile column lifts for heavy duty vehicles



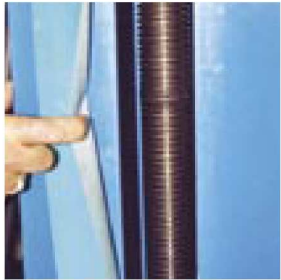
MANUFACTURING QUALITY PRODUCTS SINCE 1971





**SAFETY FIRST !**

**IMPROVE THE EFFICIENCY OF**



Acme threaded screw with protection band provides easy access to lifting mechanism while keeping it free from debris and objects in harsh shop environments.



Maximum clearance between the column and the lifted vehicle combined with a much lower height than hydraulic lifts maximizes safety and eliminates vehicle clearance issues.



Bronze parachute nut with integrated safety nut provides a fail safe system.



Fail safe jack handle with dead-man release.



Easy inspection of the safety items through the inspection window



Automatic grease pots maintain constant lubrication to lifting screw.

SEFAC is the world's pioneer in mobile column lifts and has been supplying them to the North American market for more than 30 years.

Mobile column lifts offer a quick, safe, reliable, space-saving way to maintain any fleet of heavy vehicles.

SEFAC has supplied more than 4000 sets of lifts to the North American market with customers accross all sectors of the transportation industry.

The new SEFAC  mobile column lift is the latest model in a long history of the most proven, reliable, and safe vehicle lifts in the world.

**EASY AND QUICK POSITIONING**



Unobstructed access under vehicle.



Lifts are operated by one person from any column with paired operation possible.



Distributed by:



## YOUR WORKSHOP



### FLEXIBILITY IN THE WORKSHOP



Stands can be used to put multiple vehicles up in the air with just one set of mobile lifts.

## ANCILLARY EQUIPMENT

**Wheel adaptors** for light duty vehicles and cars which maintain the low clearance level of the SEFAC lifting forks.



**Plastic covers** for wash bays and outside storage.



Wheel dollies.



**Lifting beams** for fifth wheel trailers.



## TotalKare "That's our promise"

TotalKare is our parts and service department with highly trained service technicians, a large parts inventory, and a dedication to provide the best product support in the industry.

Toll Free : (800) 826 3486

Tel : (410) 539 5616

Fax : (410) 539 8195

E-mail : [sefac@sefac.com](mailto:sefac@sefac.com)





Distributed by:



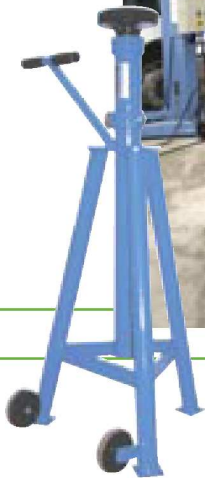
## COMPLEMENTARY EQUIPMENT



### Transmission jack

with 3300lb capacity and adjustable 3 axis stand. A must have for quick and safe transmission changes.

A variety of large and small **stands** to support any vehicle or axle and maximize your work efficiency.



**A professional network of factory trained service technicians located throughout the US and Canada is supported by two SEFAC parts locations. Our "TotalKare" service representatives are the finest in the industry.**

## TECHNICAL FEATURES

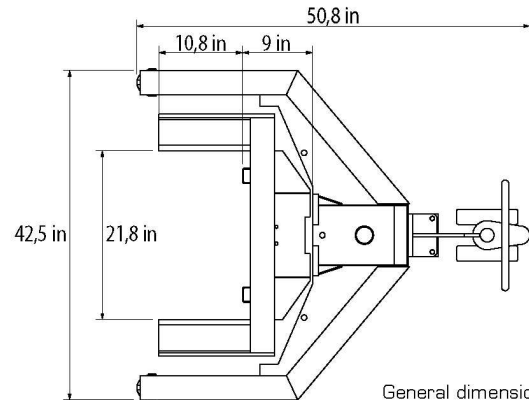
A proven design :

- Parachute nut assembly : bronze lifting nut and steel safety nut.
- Irreversible suspended rolled screw and lifting nut.
- No additional mechanical safety latches required to support the load.

Technical features designed to meet the requirements of the heavy duty maintenance workshop:

Capacity per column/4/6 columns	16000, 64000 & 96000 lbs
Lifting height	70 inches
Lifting speed	27 1/2 inches/mn
Safety distance between the vehicle and the front of the column	9 inches
Electrical components protection against Water and Dust	Yes. IP 55
Upper and lower limit switch	Yes. On each column
Emergency stop button	Yes. On each column
Hydraulic jacking unit with safety handle to move the column	Yes. On each column
Inspection window for the safety components	Yes. On each column
Tire dimensions	8.25-20 / 13.00-22,5
Reducers available for cars and vans	
Weight per column	948 lbs
Low column feet for low floor buses	5 1/8 inches

\*Mobile column lifts also available in 22 000 lbs capacity. For 13.00-22,5/16.00-24 tyres, please contact us.



Sefac lifts comply with IP 55 making them ideal for outdoor use and under vehicle cleaning.



# SEFAC Inc.

1615 Bush Street  
Baltimore  
MD 21230-2093  
U.S.A

Toll free : (800) 826 3486

Tel : (410) 539 5616  
Fax : (410) 539 8195

Internet - [www.sefac.com](http://www.sefac.com)  
E-mail - [sefac@sefac.com](mailto:sefac@sefac.com)

# SEFAC S.A.

1 rue André Compain  
BP 101 - 08800 MONTHERMÉ  
FRANCE

Tel : + 33 (0)3 24 53 01 82  
Fax : + 33 (0)3 24 53 29 18

Internet - [www.sefac.fr](http://www.sefac.fr)  
E-mail - [commercial@sefac.fr](mailto:commercial@sefac.fr)

# SEFAC Uno S.A.

Camino de Rejas  
1 Nave 10  
28820 Coslada  
SPAIN

Tel : + 34 91 672 36 12  
Fax : + 34 91 672 33 96

Internet - [www.sefac.es](http://www.sefac.es)  
E-mail - [comercial@sefac.es](mailto:comercial@sefac.es)

## Distributed by:



Internet - [www.citationce.com](http://www.citationce.com)  
E-mail - [robert@citationce.com](mailto:robert@citationce.com)

Tel: (905)595-0750  
Fax: (905)595-0755  
Toll free: (800)661-5058  
19 Melanie Drive,  
Brampton, ON, L6T 4K8  
Canada

